

Kempower Movable Charger

The Kempower Movable Charger is the stand-alone, mobile solution for fast DC charging of all types of electric vehicles.

The Movable Charger can be used anywhere: events, bus & truck depots, logistics centers, car service shops, and other locations where fast charging is needed.

The Movable Charger can have one or two DC charging outputs, with CCS1 and CHAdeMo as options. The available charging power is automatically distributed between the charging outputs.

There are two output voltage levels: 400 VDC and 800 VDC.



Power range

Up to 50 kW

Number of outputs

1-2



- 1 7" touch screen display
- 2 RFID reader (ISO 14443A)
- 3 Vehicle connectors
- 4 Charging status indication LEDs
- 5 Removable wheels
- 6 Mounting pad



**Movable Charger for easy use
wherever needed**



**Plug & play, easy to
commission & use**



**On-screen QR code for
following the charging status
on your mobile phone**



**Removable wheels for fixed
installation**



**Stand-alone charging
system**



**Advanced charging control
and customization with
Kempower ChargeEye**

Product code interpretation

T800·P40·UU·7·A·S·L·CO

Kempower Movable Charger T800 · 50 kW charging power · 2 × CCS1 vehicle connector · charging cable length 23 ft. · nominal charging cable current 80 A · standard user interface · ETL certification · unbranded

Item	Code	Description
Product type	T500	Kempower Movable Charger T500
	T800	Kempower Movable Charger T800
Charging power	P40	50 kW at nominal voltage ^[1]
Vehicle connector type	U	CCS1
	UU	2 x CCS1
	UD	CCS1 & CHAdeMO
Charging cable length	5	16.4 ft.
	7	23 ft.
Nominal charging cable current	A	80 A (CCS1)
	B	125 A (CHAdeMO), 150 A (CCS1)
User interface	S	Standard user interface
Certification	L	ETL-approved product
Branding options	CO	Unbranded, no stickers
	Cn	Branded: number (n) indicates branding, e.g. C8

[1] 40 kW at input nominal voltage <440 VAC

General electrical specifications

Grid connection (AC)	3P+PE 100 A ^[1]
Grid supply connector	Not included. Customer installs preferred plug.
Supply cable length	16.4 ft.
Input nominal voltage	480 VAC
Input operating voltage	380...480 VAC +6%/-10%
Input frequency	50...60 Hz
Nominal input power	58 kVA (at nominal input voltage)
Power factor at full load	0.92
Efficiency at full load	94%
Idle power	20 VA
Overvoltage category	III
Rated conditional short-circuit current	25 kA
Network type	TN-S, TN-C, TN-C-S, TT

[1] If 60 A is used, power is reduced accordingly

SUBJECT TO CHANGE WITHOUT NOTICE

Environmental specifications

Operating temperature	-22...122 °F
Current derating	Charging current decreases 1.5% for every 1.8 °F rise in temperature above 104 °F
Maximum altitude without derating	6562 ft.
Altitude derating	Charging current decreases 1.4% for every 328 ft. rise above 6562 ft.
Operational noise level	< 60 dB at 3.3 ft. distance
Storage temperature	-40...140 °F
Ambient air humidity	< 95% relative humidity
Enclosure rating	Suitable for outdoor use

Connections and protocols

WiFi	802.11 b/g/n (2.4/5 GHz)
Cellular/GPS	LTE-FDD, LTE-TDD, WCDMA, GSM
Ethernet	RJ45, IEEE 802.3/802.3u
OCPP	1.6j/2.0.1
Connectivity	Kempower ChargEye solution

Electrical protections

Over/undervoltage
Surge protection
Short circuit
Overload protection
Earth leakage current monitoring
Device overtemperature
Vehicle connector pin temperature monitoring

DC charging output

	T500	T800
Nominal output power at 480 VAC	50 kW (with 2 outputs: Dynamic 50 kW one output or 25 kW per output at 480 VAC and 400 VDC)	50 kW (with 2 outputs: Dynamic 50 kW one output or 25 kW per output at 480 VAC and 667 VDC)
Nominal output current	2 x 63 A, 1 x 125 A	2 x 37 A, 1 x 75 A
Output voltage range	150...500 VDC	200...920 VDC



Product codes

Product code	Charging outputs	Vehicle connector	Simul. charging with 2 outputs	Nominal charging cable current
T500				
T·U·5B·S·L	1	CCS1	N/A	150 A
T·UU·5B·S·L	2	2 x CCS1	Yes	2 x 150 A
T·UD·5B·S·L	2	CCS1 & CHAdeMO	Yes	150 A & 125 A
T800				
T·U·5A·S·L	1	CCS1	N/A	80 A
T·UU·5A·S·L	2	2 x CCS1	Yes	2 x 80 A
T·UD·5A·S·L	2	CCS1 & CHAdeMO	Yes	80 A & 125 A

Note: Versions with 23 ft. charging cables, change 5 to 7 in the product code, e.g. from T500·P40·CD·5·B·S to T500·P40·CD·7·B·S

Note: For CCS2 vehicle connector availability, contact Kempower

Note: T800 with CHAdeMO, voltage and power limitations apply

Compliance to standards

IEC 61851-1, IEC 61851-23, IEC 61851-21-2 , IEC 62196-3, IEC 60309

UL 2202, UL 2231-1, UL 2231-2

CSA Std. c22.2 No. 281.2, CSA Std. c22.2 No. 107.1

C22.2 No. 182.1-13

EMC Class A FCC Part 15

Options

CCS2 vehicle connectors	Available upon request
Customized branding	Branding options, such as custom colors and stickers Contact Kempower for availability, pricing, and minimum order quantity

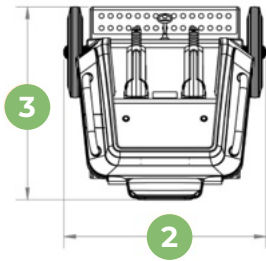
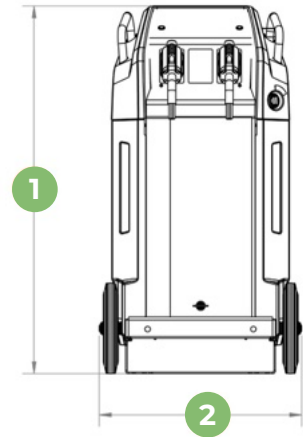
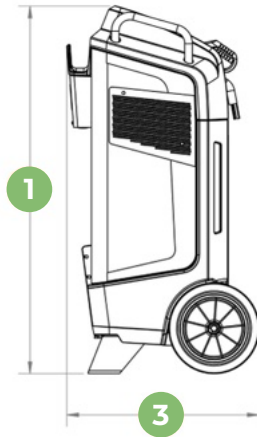
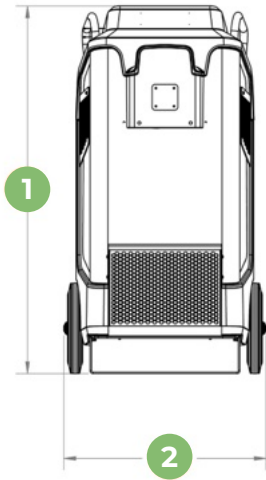
Mechanical dimensions

Size (W x H x D)

25.1 x 47.9 x 26 in.

Weight

1 charging cable	309–331 lb.
2 charging cables	353–397 lb.



- 1 47.9 in.
- 2 26.4 in.
- 3 25.1 in.